

# Diaphragm type Vacuum Pumps DA-20D

DA(P/T/L) Series



## Outline

This is a vacuum pump that evacuates by the reciprocating motion of a rubber thin film (diaphragm). Simple structure and easy handling. DA series is a standard type.

## Features and Cautions on use

- Diaphragm type pump creates vacuum by reciprocate movement of rubber diaphragms. Pump structure makes Oil-free environment and maintenance easy. Various pumping speed and two/single stages are selectable depends on your required pressure and pumping volume.

## Specification

Item	Unit	50Hz	60Hz
Actual Pumping Speed	L/min	20	24
Ultimate Pressure	Pa	5.33×10 <sup>3</sup>	
	kPa	-96 <sup>#1</sup>	
Motor Output	W	60	
Weight	kg	7.2	
Inlet, Outlet port diameter	mm	O.D. φ9×I.D. φ5 (Rc 1/4)	
Ambient temperature	°C	7~40	
Overall dimensions	mm	118(W) × 242(L) × 178(H)	
RoHS applied		●	

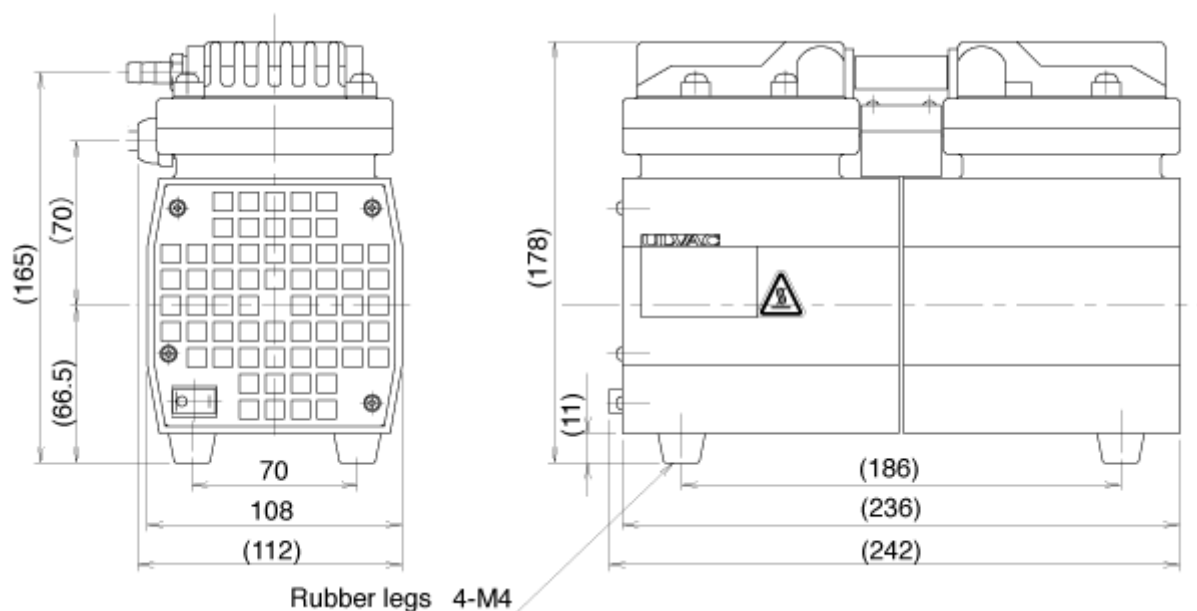
#1: Gauge pressure

## Power Supply/Voltage

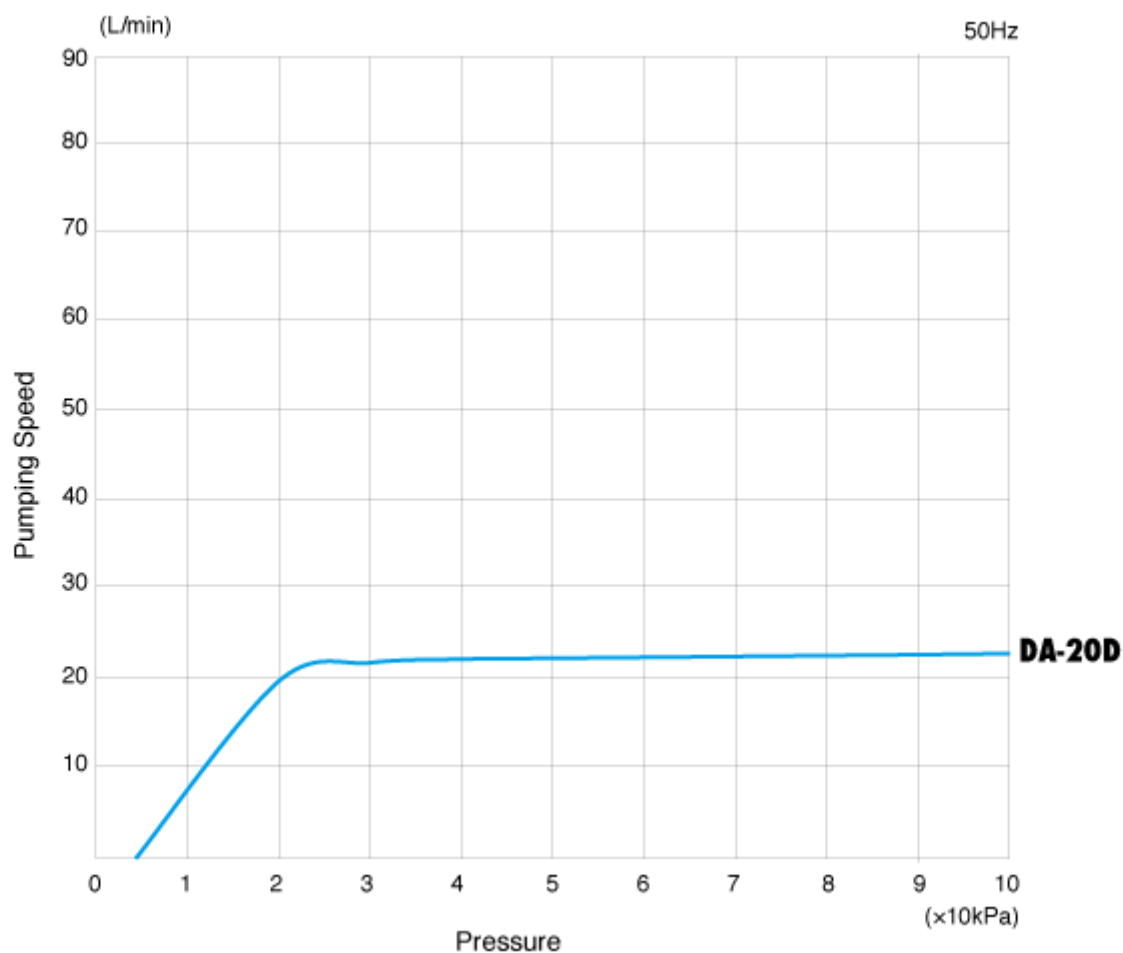
Voltage	Certificate	Remarks
Single phase, 100V	—	
Single phase, 200V	—	
Single phase, 100V	CE, TUV	DA-20DA
Single phase, 115V	CE, TUV	DA-20DB
Single phase, 220V	CE, TUV	DA-20DC

■TUV Certification: A high-quality product that complies with European standards as assessed by an international third party that conducts product safety testing and certification.

## Outline Drawing



## Pumping Speed Curves



## Remarks

- The pump is stopped when the load is operated, and the pump can't be operated just after that. In this case, please return the atmospheric pressure the inside of the pump.
- The pump will not often operate normally if it is used with corrosive gases, organic solvents, liquids, or condensed gases (eg steam). The pump will not often operate normally if it is used with gases containing particles or dust etc.
- It is a pump only in the room. Please do not set it up in the place, that rain and water splash, and outdoors.
- It may cause the failure of the pump if it is used for long hours
- close to the atmospheric pressure.

## Applied optional part items

No.	Category name	Series	Name
1	Maintenance Kit	Maintenance Kit Series	Maintenace Kit for DA-20D/40S
2	Anti-vibration Rubber	Anti-vibration Rubber	Anti-vibration rubber (ME-12cut)

## アルバック機工株式会社

〒881-0037  
 宮崎県西都市大字茶臼原291-7  
 TEL:(0983)42-1411(代)  
 FAX:(0983)42-1422