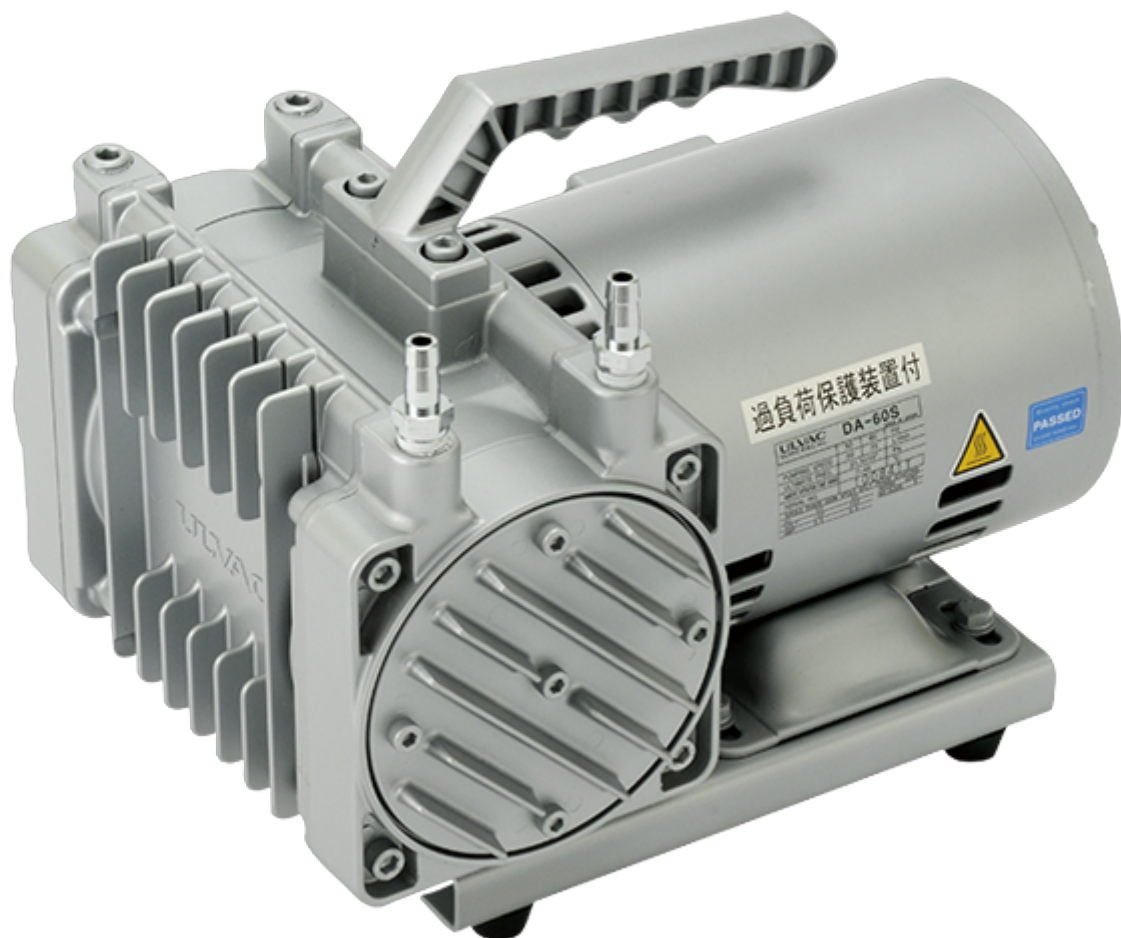


# Diaphragm type Vacuum Pumps DA-60S

DA(P/T/L) Series



## Outline

This is a vacuum pump that evacuates by the reciprocating motion of a rubber thin film (diaphragm). Simple structure and easy handling. DA series is a standard type.

## Features and Cautions on use

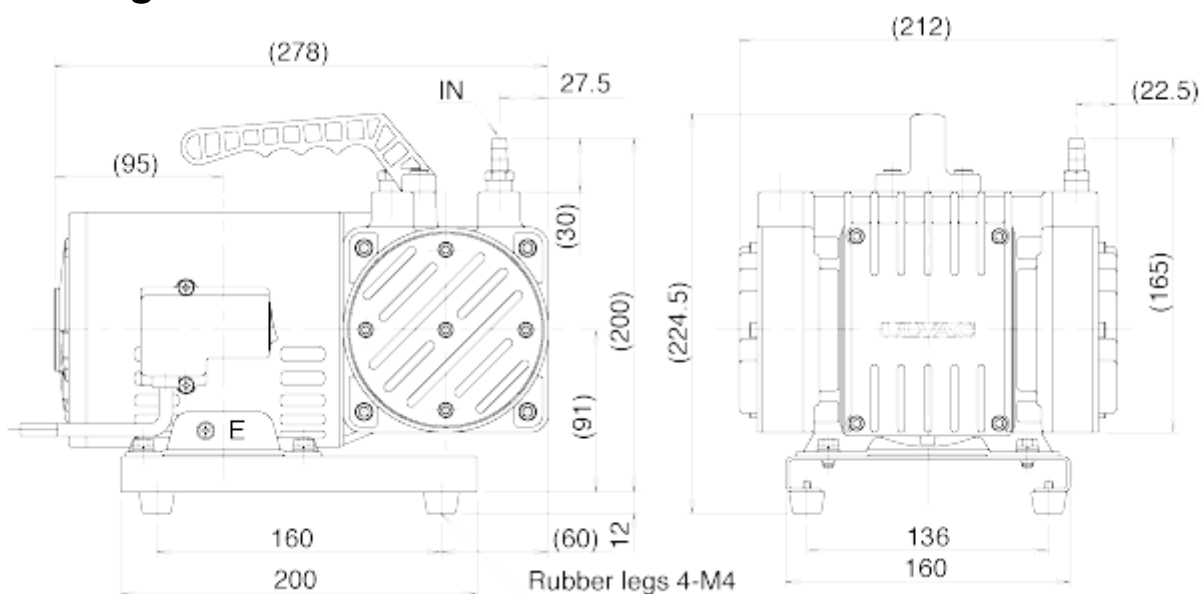
- Diaphragm type pump creates vacuum by reciprocate movement of rubber diaphragms. Pump structure makes Oil-free environment and maintenance easy. Various pumping speed and two/single stages are selectable depends on your required pressure and pumping volume.

## Specification

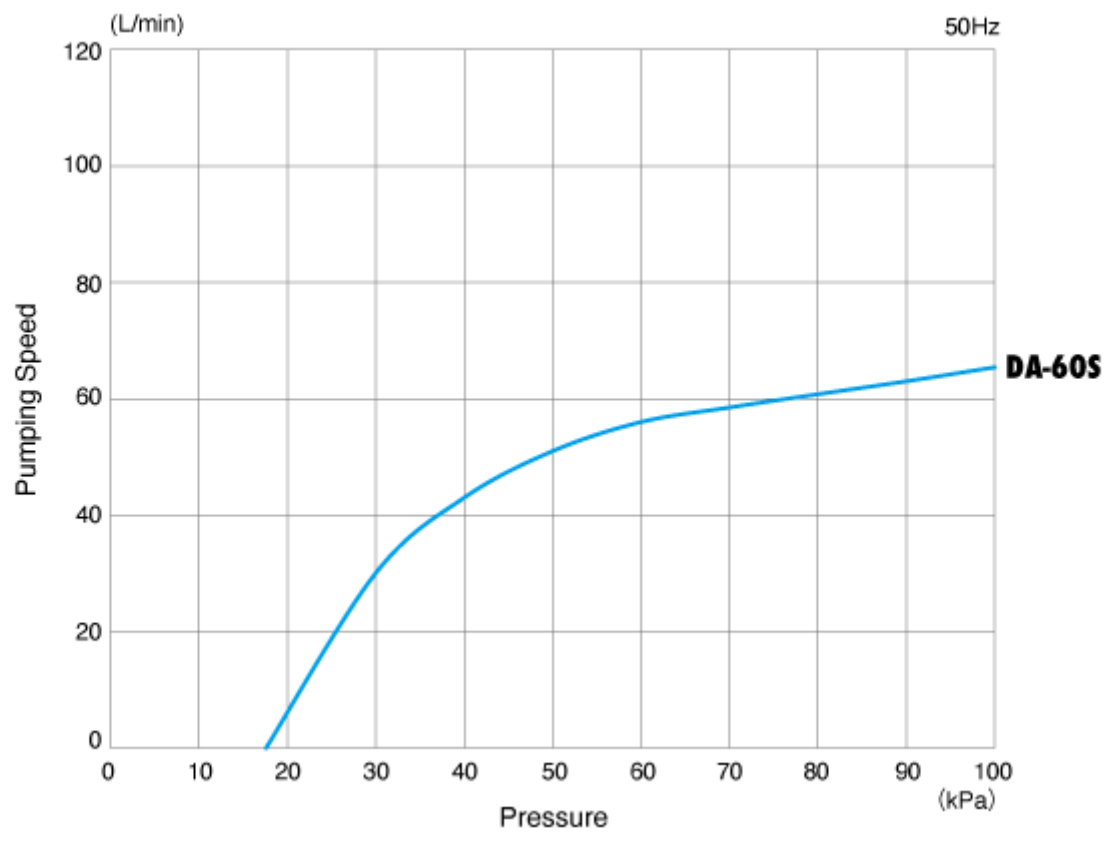
Item	Unit	50Hz	60Hz
Actual Pumping Speed	L/min	60	72
Ultimate Pressure	Pa	21.3×10 <sup>3</sup>	
	kPa	-80 #1	
Motor Output	W	200	
Weight	kg	11	
Inlet, Outlet port diameter	mm	O.D. φ9×I.D. φ5 (Rc 1/4)	
Ambient temperature	°C	7~40	
Overall dimensions	mm	212(W) × 278(L) × 224.5(H)	
RoHS applied		●	

#1: Gauge pressure

## Outline Drawing



## Pumping Speed Curves



## Remarks

- The pump is stopped when the load is operated, and the pump can't be operated just after that. In this case, please return the atmospheric pressure the inside of the pump.
- The pump will not often operate normally if it is used with corrosive gases, organic solvents, liquids, or condensed gases (eg steam). The pump will not often operate normally if it is used with gases containing particles or dust etc.
- It is a pump only in the room. Please do not set it up in the place, that rain and water splash, and outdoors.
- It may cause the failure of the pump if it is used for long hours
- close to the atmospheric pressure.

## Applied optional part items

No.	Category name	Series	Name
1	Maintenance Kit	Maintenance Kit Series	Maintenace Kit for DA-30D/60S
2	Anti-vibration Rubber	Anti-vibration Rubber	Anti-vibration rubber (ME-12)

### アルバック機工株式会社

〒881-0037

宮崎県西都市大字茶臼原291-7

TEL:(0983)42-1411(代)

FAX:(0983)42-1422